

Antenna, Strip

ERF4060

Description

The ERF4060 antenna is a black antenna with a SMA Male connector. The antenna can be used in the frequency range of 640 MHz to 4000 MHz. The antenna can be used for applications such as, M2M, 4G/3G/2G, WiFi, LTE and more.



Networks / Communication Protocol

- LTE-M / CAT-M
- LoRa
- 5G/4G/3G/2G
- NB-IoT
- ISM
- WiFi
- Zigbee
- LTE
- UMTS
- GSM

Antenna, Strip

ERF4060

Features

Electrical Properties	Description		
Frequency marker	Frequency band MHz	Return loss dB	V.S.W.R.
1	700	-23.3	< 1.1
2	800	-22.4	< 1.2
3	868	-35.0	< 1.0
4	900	-19.7	< 1.2
5	915	-20.2	< 1.2
6	1.800	-11.2	< 1.8
7	1.900	-12.2	< 1.8
8	2.100	-27.0	< 1.1
9	2.400	-10.3	< 1.9
10	2.600	-12.8	< 1.6
11	3.500	-18.4	< 1.3
Nominal Impedance	50 Ω		
Polarization	Linear		
Gain	2 dBi		

Mechanical Properties	Description
Antenna	External Strip Antenna
Mounting	Adhesive
Connector	U.FL
Dimensions	115.6*21.7*5.8 mm ± 0.2
Antenna	Black
Cable Length	80 cm ± 1
Operating Temperature	-40°C~+85°C

Antenna, Strip

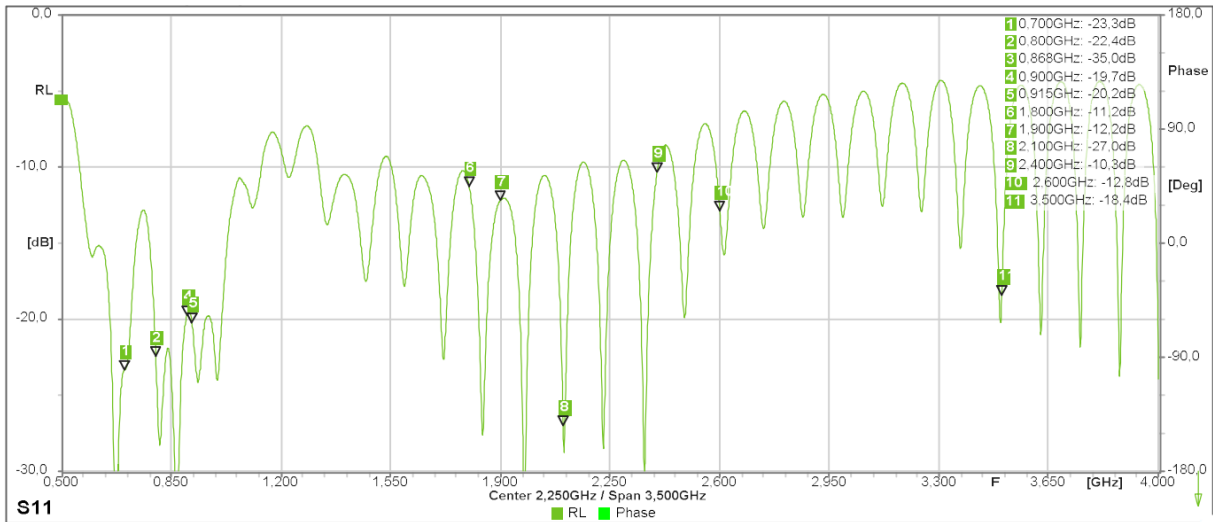
ERF4060

Storage Temperature

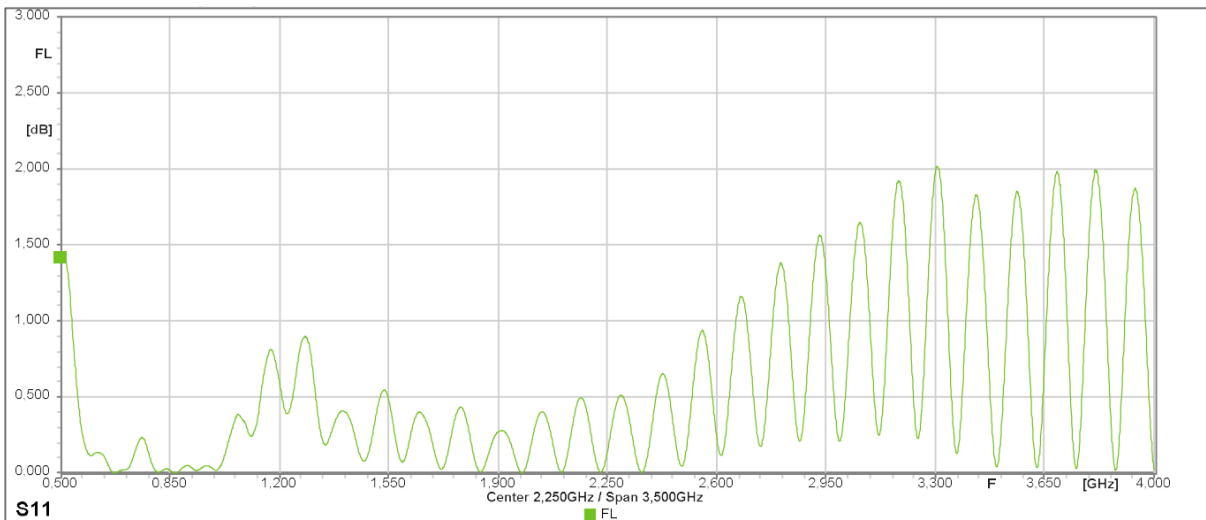
-40°C~+85°C

Antenna Properties

Return Loss



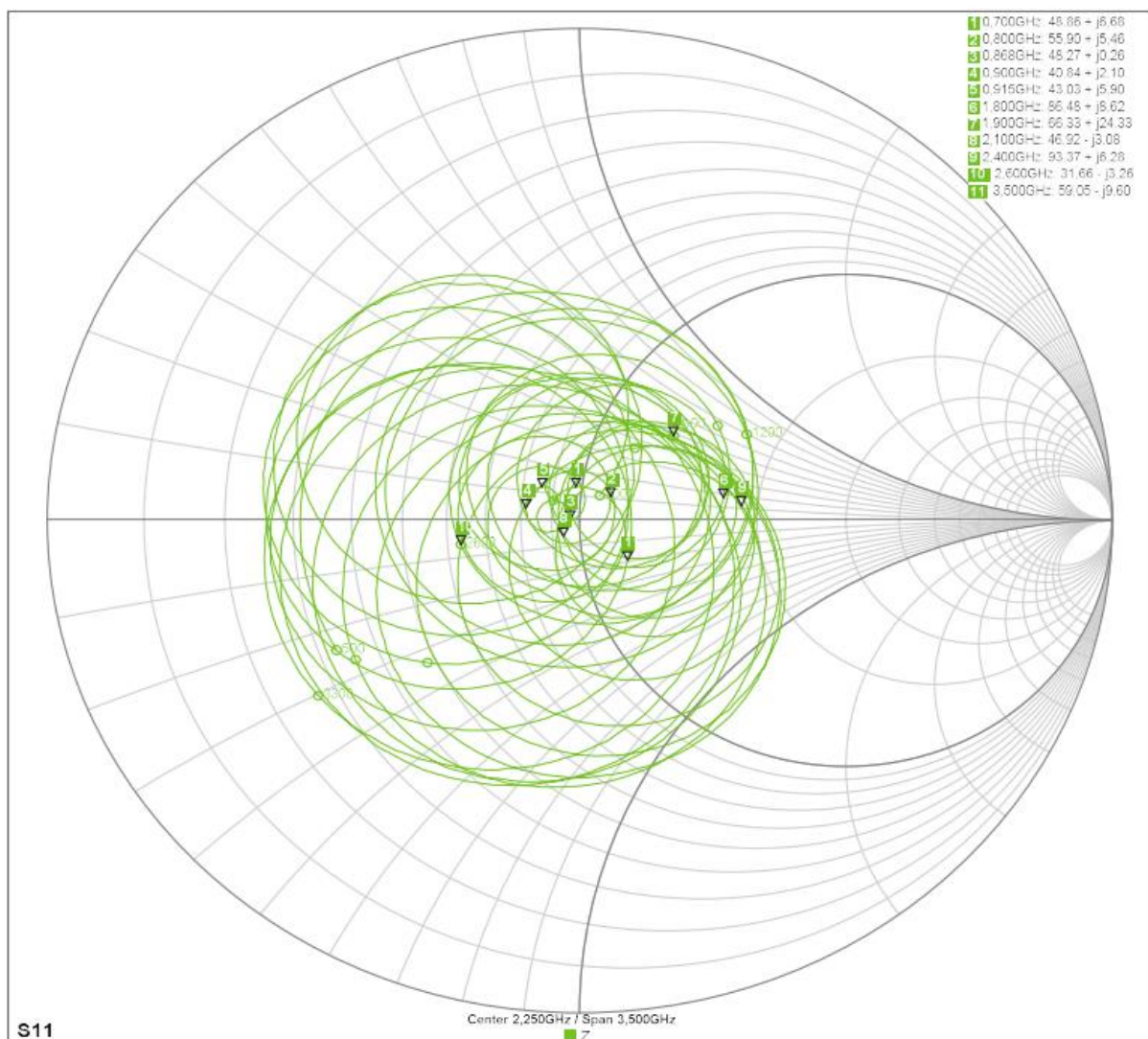
Forward Loss



Antenna, Strip

ERF4060

Impedance

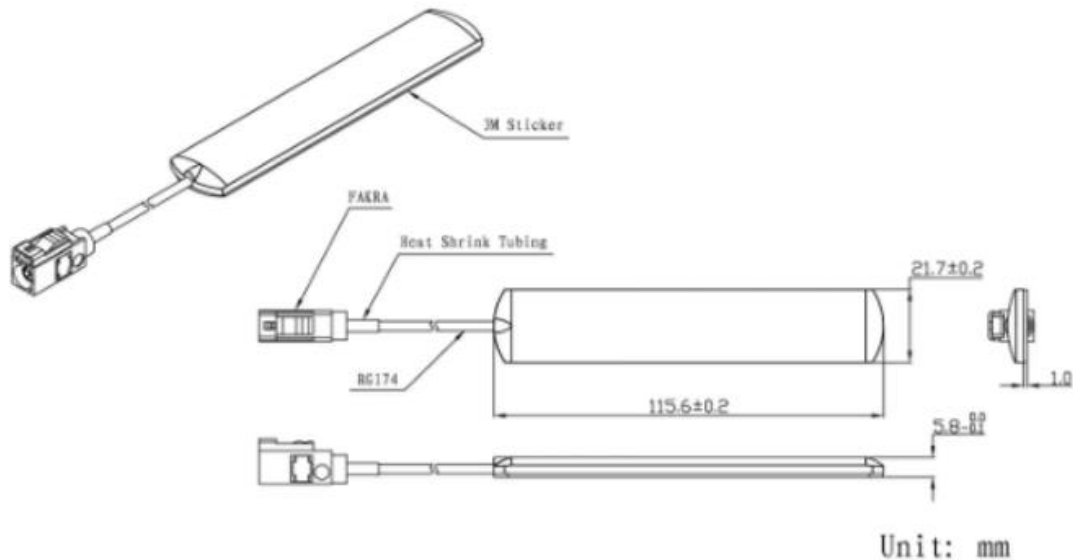


Dimensions

*The antenna uses a U.FL instead of a SMA connector, for the antenna with SMA connector please see: ERF4056

Antenna, Strip

ERF4060



Connector

The ERF4060 uses a U.FL connector.

Ordering information

Ordering can be done via www.summit-electronics.com or via info@summit-electronics.com. Please contact us for more information. Customisation of the product is available on request.

Technical support

For all product questions please contact us via info@summit-electronics.com

Document revision

Rev	Date	changes
2023v1	06-04-2023	First issue of document